

PISTON DIAPHRAGM PUMP

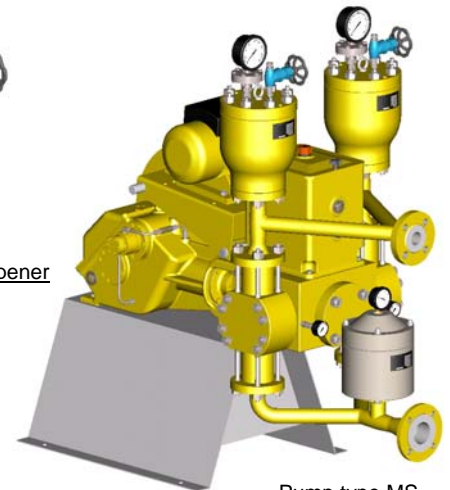
- Increased efficiency**
optimized valve reaction time
- Low investment costs**
the optimum with regard to capacity / output, initial costs and operating costs
- Low energy costs**
high efficiency factor, control by frequency converter is possible
- Aim of development:**
increased capacity / output, compacter type of construction, improved efficiency at reduced costs, without a loss of durability and service life.
- The result:**
the „**HD**“ –model (**H**igh–**D**ischarge pressure)! This production series meets in particular the itemized requirements and is suited for capacities of 1,0 – 380 m³/h.
- Constructional features:**

 - Electrically driven, modular piston diaphragm pump
 - Pump head made of various (stainless) steel
 - Diaphragm pulsation dampener
 - Double diaphragm
 - **individually up to 25 MPa (250 bar)**

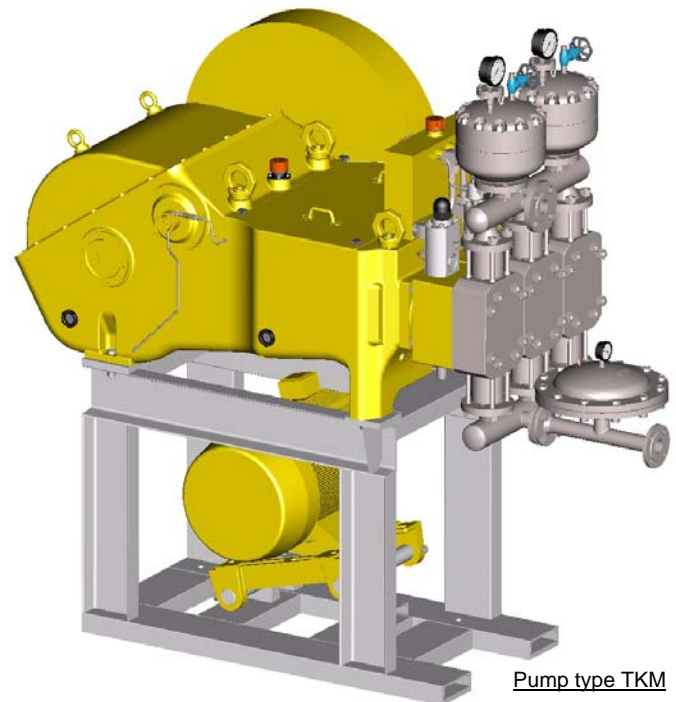
High-pressure pump (HD)



Diaphragm puls. dampener



Pump type MS



Pump type TKM

